

Roof Trac™

Patent #6,360,491

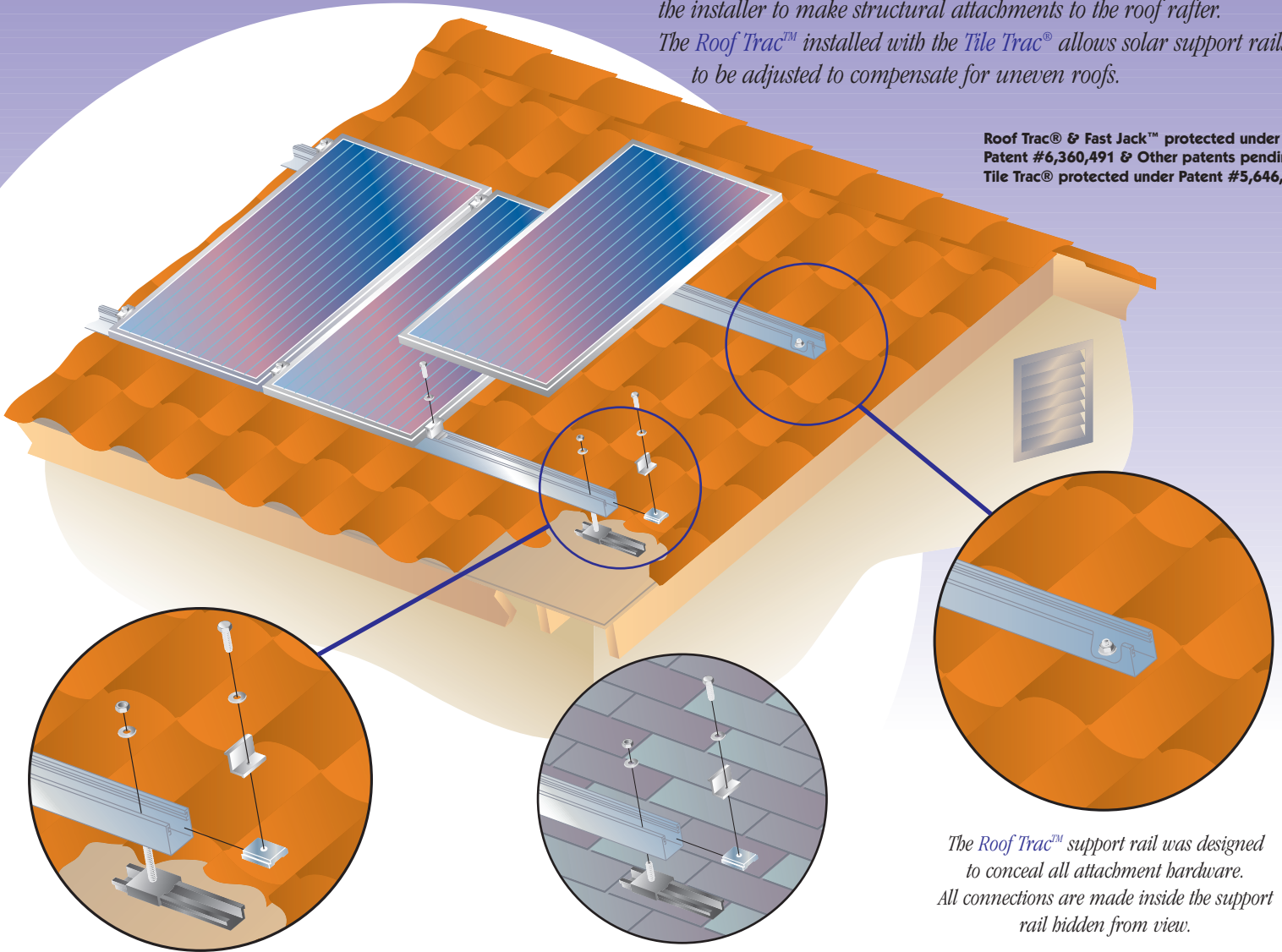
The Original "Top-Down" PV Mounting System.

Integrated with Tile Trac® attachments

The patented Roof Trac™ system installed with the Tile Trac® attachment method provides an ideal solution for mounting on a tile roof. Tile Trac® reduces the possibility of broken tiles and leaking roofs, allowing the installer to make structural attachments to the roof rafter.

The Roof Trac™ installed with the Tile Trac® allows solar support rails to be adjusted to compensate for uneven roofs.

Roof Trac® & Fast Jack™ protected under Patent #6,360,491 & Other patents pending.
Tile Trac® protected under Patent #5,646,029.



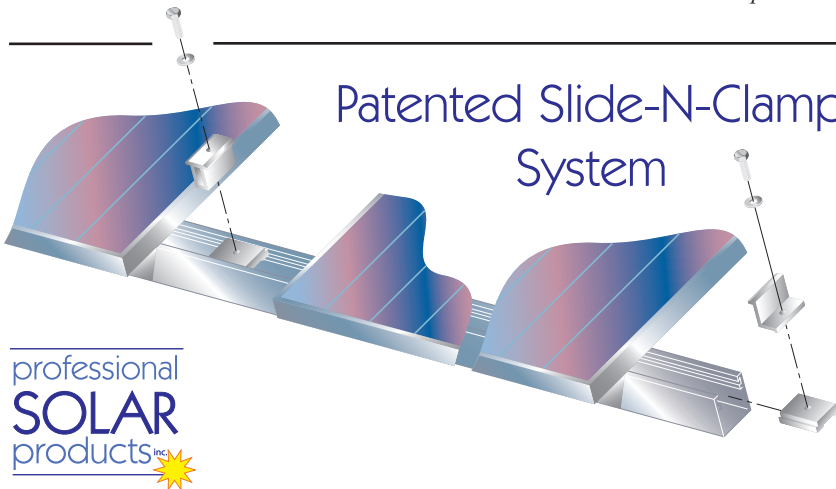
Illustrated above is how the Tile Trac® attachment seamlessly integrates with the Roof Trac™ mounting system.

The Tile Trac® attachment system is the perfect base for surface mounting on composition roofs! It has over 10 sq. inches of base to prevent damaging delicate composition shingles.

The Roof Trac™ support rail was designed to conceal all attachment hardware. All connections are made inside the support rail hidden from view.

All exposed aluminum is fully anodized to module manufacturer specifications.

Patented Slide-N-Clamp System



Fully integrated, and patented, clamping system actually changes the structural properties of the aluminum channel making it significantly stronger. This design allows solar modules to be installed at a lower profile to the roof providing a more aesthetically pleasing installation.

Module clamps are specifically designed, extruded and engineered for each specific module frame. Our innovative clamping system provides inward tension on the module frame securing the laminate in the frame.

Roof Trac™

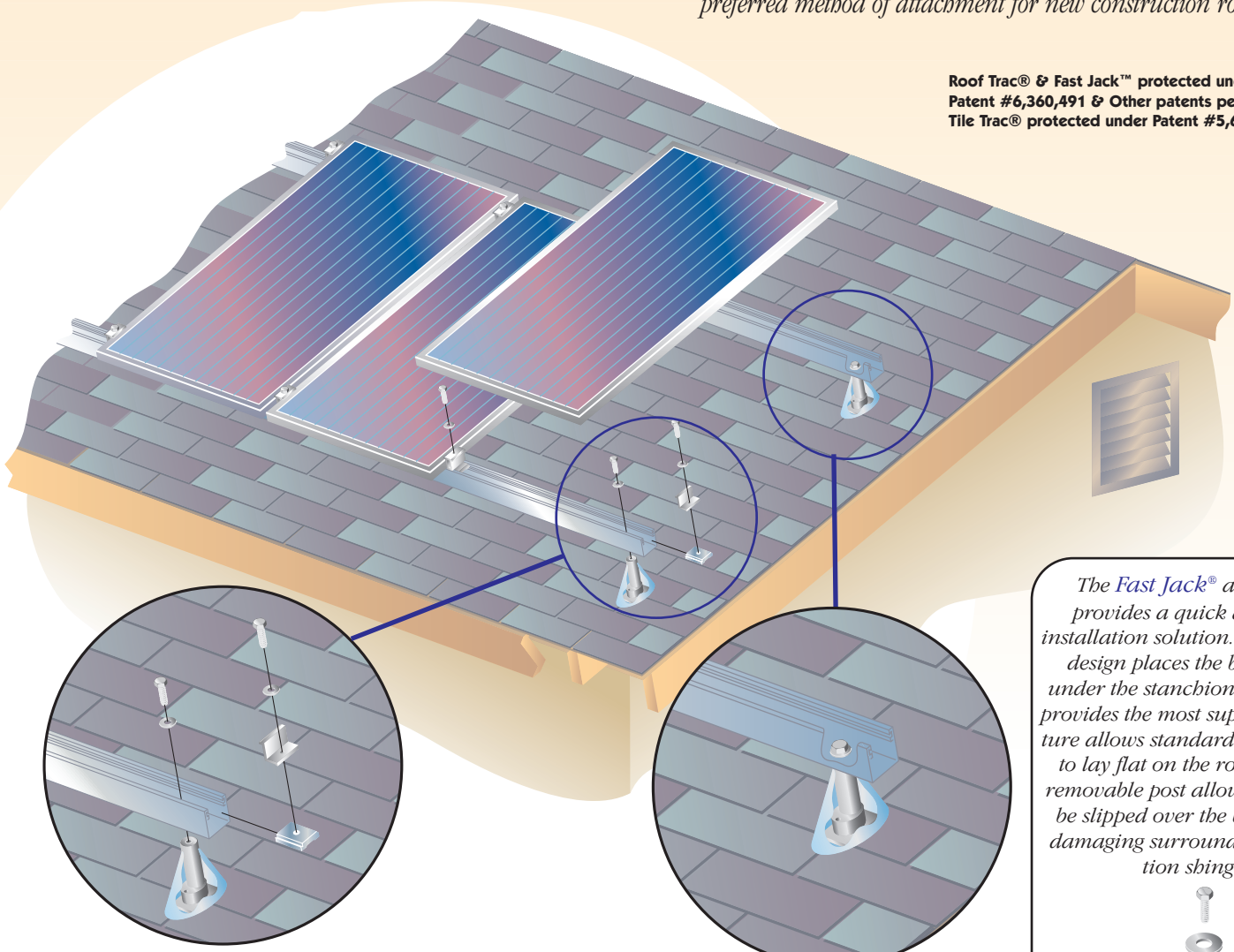
Patent #6,360,491

The Original "Top-Down" PV Mounting System.

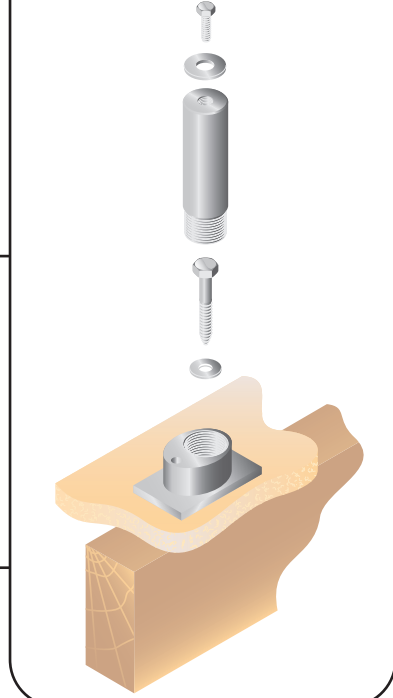
Integrated with Fast Jack® attachments

The patented Roof Trac™ system installed with the Fast Jack® attachment method provides an ideal solution for installations where a flashing is desired. The Fast Jack® is also the solar industries preferred method of attachment for new construction roofs.

Roof Trac® & Fast Jack™ protected under Patent #6,360,491 & Other patents pending.
Tile Trac® protected under Patent #5,646,029.

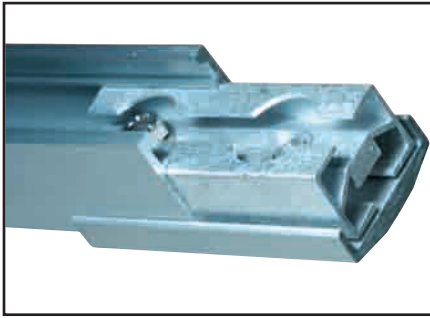


The Fast Jack® attachment provides a quick and strong installation solution. Our patented design places the bolt directly under the stanchion post where it provides the most support. This feature allows standard roof flashings to lay flat on the roof deck. The removable post allows flashings to be slipped over the base without damaging surrounding composition shingles.



Illustrated above is how the Fast Jack® attachment seamlessly integrates with the Roof Trac™ mounting system.

All attachment hardware is concealed within the support rail leaving an aesthetically pleasing solar array.



Splice Kit

The splice kit provides a solution to rigidly lock multiple rail sets together. The splice kit has a feature that allows for thermal expansion/contraction of the rails without damaging the roof-top!



(800) 84-SOLAR
(805) 383-0802-fax
4630 Calle Quetzal
Camarillo, CA 93012

For more information you can visit us on the web at
www.RoofTrac.com